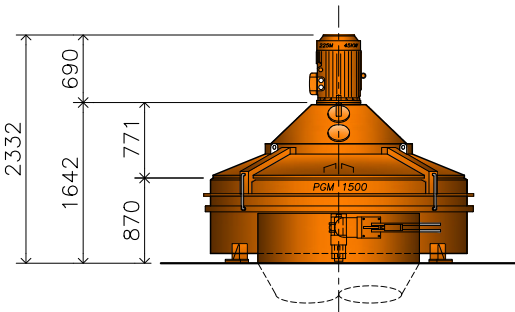
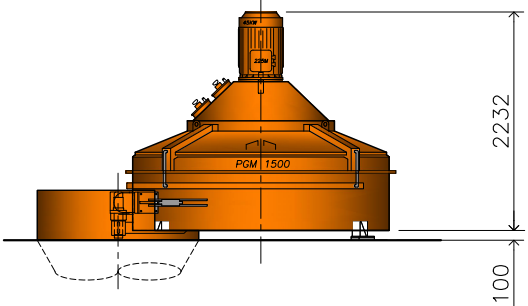
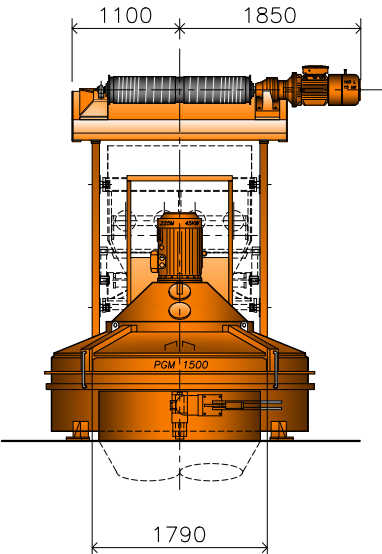
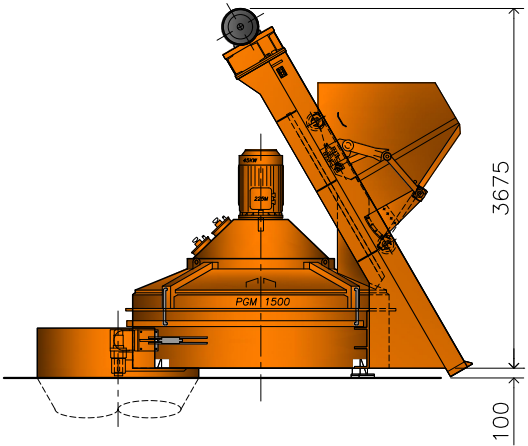
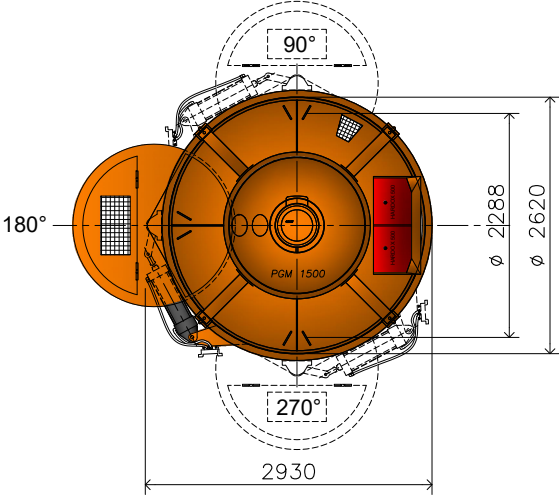


Taurus Planetary Countercurrent Mixer

PGM 1500 - 1000



Technical data Planetary Mixer Taurus PGM 1500 / 1000

| | | |
|------------------------------|-----|---------|
| Dry filling capacity | Ltr | 1500 |
| Output per batch, compacted | Ltr | 1000 |
| Mixer drive motor | kW | 45 |
| Mixing stars | n° | 2 |
| Mixing shovels / mixing star | n° | 2 |
| Mixing shovels width | mm | 4 x 510 |
| Side scrapers | n° | 2 |
| Side scrapers width | mm | 480 |
| Speed of rotor | Rpm | 9,8 |
| Speed of mixing stars | Rpm | 35,1 |
| Water spray nozzles | n° | 8 |
| Weight of mixer | kg | 4500 |

Technical data Skip-Hoist Taurus PGM 1500 / 1000

| | | |
|--------------------------|-----|-----------|
| Dry filling capacity | Ltr | 1500 |
| Max filling weight | kg | 2200 |
| Hoist drive motor | kW | 15 |
| Speed of hoist up / down | n° | 0,4 / 0,8 |
| Dia. of hoisting wire | mm | 11 |

